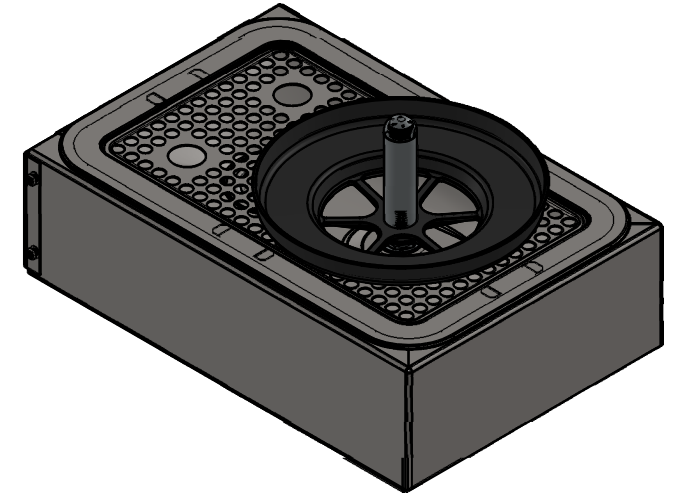
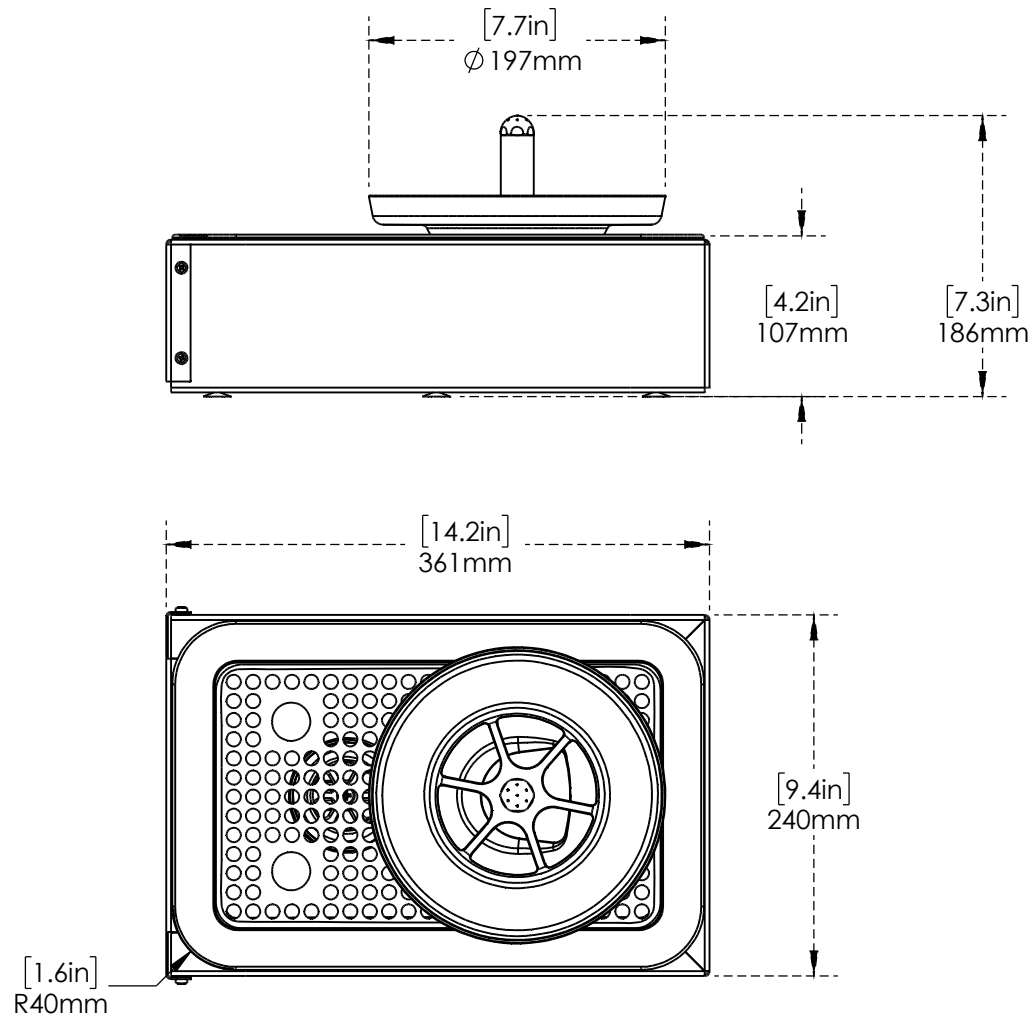


PART NO.-

C4049 Line Drawing

TITLE-

Pitcher & Blender Rinser Sink-Counter Top-300mm



**Krome**  
dispense

**Note:-** Information provided for reference only.

\* This document and the information thereon is the property of Krome Dispense Pvt Ltd. & its subsidiaries. Any reproduction in part or as a whole without the written permission of Krome Dispense Pvt Ltd. is prohibited.