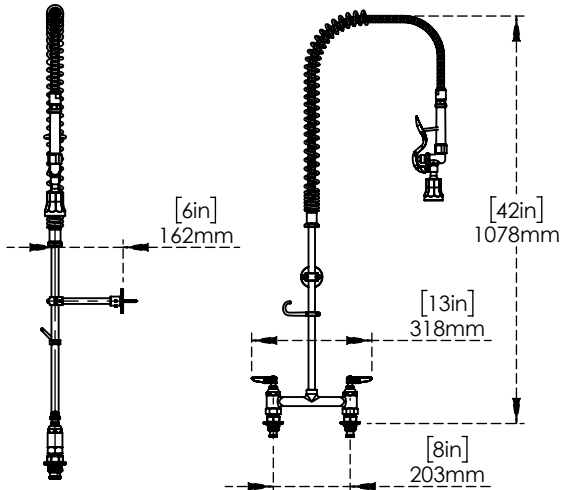


# For Residential and Commercial Applications

Job Name \_\_\_\_\_  
 Job Location \_\_\_\_\_  
 Engineer \_\_\_\_\_  
 Approval \_\_\_\_\_

Contractor \_\_\_\_\_  
 Approval \_\_\_\_\_  
 Contractor's P.O. No. \_\_\_\_\_  
 Representative \_\_\_\_\_

**Series: Pre Rinse**  
**Pre-Rinse Unit: 1.2 GPM Spray Valve, 8" Deck Mount, 44" SS Flex Hose**  
**C8199**



**Features & Benefits:**

- 44" flexible stainless steel hose with heat resistant black handle
- Lever handles with colorful coded screws
- Quarter-turn ceramic cartridges
- Inlet 1/2" NPT Female
- Spray Valve 1.2 GPM
- Low height commercial kitchen dishwasher faucet is constructed from lead-free brass.

**Performance Data:**

- Pressure: 20 - 125 psi [1.38 - 8.62 bar]
- Temperature: 40 F - 140 F [4.44 C - 60 C]
- Flow rate: : 1.15 GPM [4.35 L/min] @ 60 psi

**Aerators:**

Standard Aerator	Suffix	Vandal Resistant Laminar Flow Outlet	Suffix
<input type="checkbox"/> 0.20 GPM	E1	<input type="checkbox"/> 0.35 GPM	H1
<input type="checkbox"/> 0.50 GPM	E2	<input type="checkbox"/> 0.50 GPM	H2
<input type="checkbox"/> 1.00 GPM	E3	<input type="checkbox"/> 1.00 GPM	H3
<input type="checkbox"/> 1.50 GPM	E4	<input type="checkbox"/> 1.50 GPM	H4
<input type="checkbox"/> 1.80 GPM	E5		
<input type="checkbox"/> 2.20 GPM	E6		

Laminar Flow Outlet	Suffix	Vandal Resistant Aerator	Suffix
<input type="checkbox"/> 0.50 GPM	F1	<input type="checkbox"/> 0.35 GPM	G1
<input type="checkbox"/> 1.50 GPM	F2	<input type="checkbox"/> 0.50 GPM	G2
		<input type="checkbox"/> 1.00 GPM	G3

**Optional Cartridges:**

- Quarter-Turn w/ Spring Check valve
- Quarter-Turn w/ Check Valve

**Optional Pre-Rinse Spray Valves:**

Spray Valve	Flow Rate
C9526	1.15GPM
C8149	1.42GPM
C9520	1.42GPM
C8249	4.50GPM

**Product compliance:**

- California proposition 65

**Warranty:** Four year (Limited)

**NOTICE**

The information contained herein is not intended to replace the full product installation and safety information available or the experience of a trained product installer. You are required to thoroughly read all installation instructions and product safety information before beginning the installation of this product.



US & Canada :- +1-678 666 2001

Krome product Specifications in U.S. customary units and metric are approximate and are provided for reference only. For precise measurements, please contact Krome Technical Service. Krome reserves the right to change or modify product design, construction, specifications, or materials without prior notice and without incurring any obligation to make such changes and modifications on Krome products previously or subsequently sold. For most updated specification sheet, go to