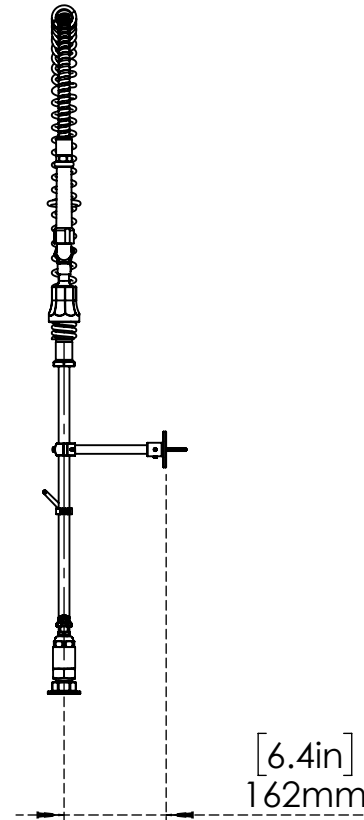
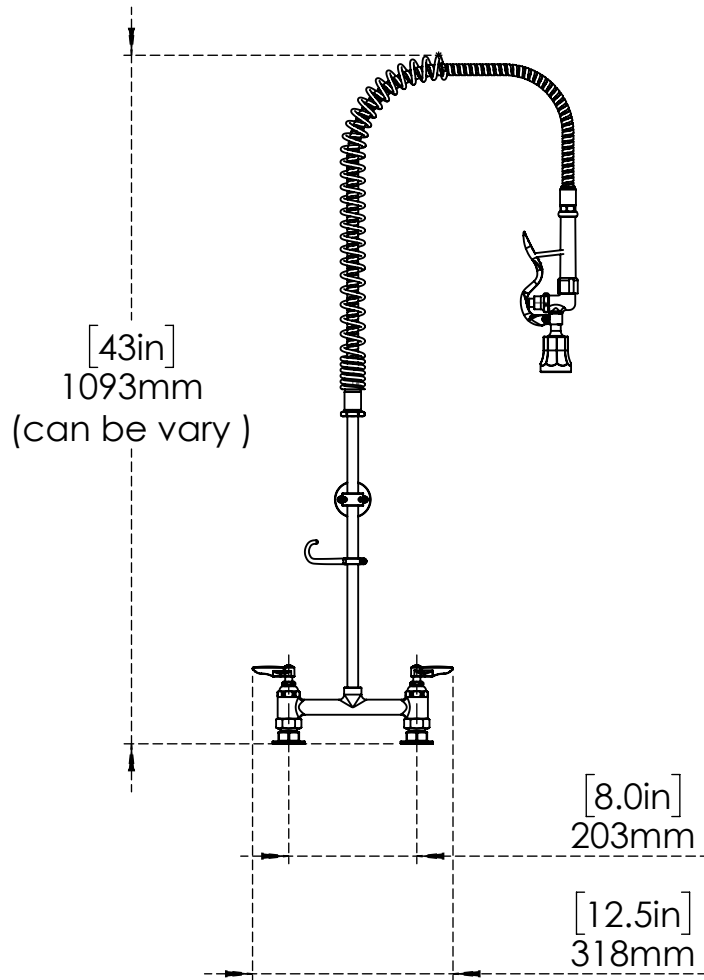


PART NO.-

C8199 Line Drawing

TITLE-

Pre-Rinse Unit: 1.2 GPM Spray Valve, 8" Deck Mount,
44" SS Flex Hose



All dimensions are in mm, inches (in bracket)

ALUIDS

Note:- Information provided for reference only.

* This document and the information thereon is the property of Krome Dispense Pvt Ltd. & its subsidiaries. Any reproduction in part or as a whole without the written permission of Krome Dispense Pvt Ltd. is prohibited.