

For Residential and Commercial Applications

Job Name _____
 Job Location _____
 Engineer _____
 Approval _____

Contractor _____
 Approval _____
 Contractor's P.O. No. _____
 Representative _____

Series

Faucet Swing Nozzle/Spouts

Sizes:

Nozzle Size 8" to 12"

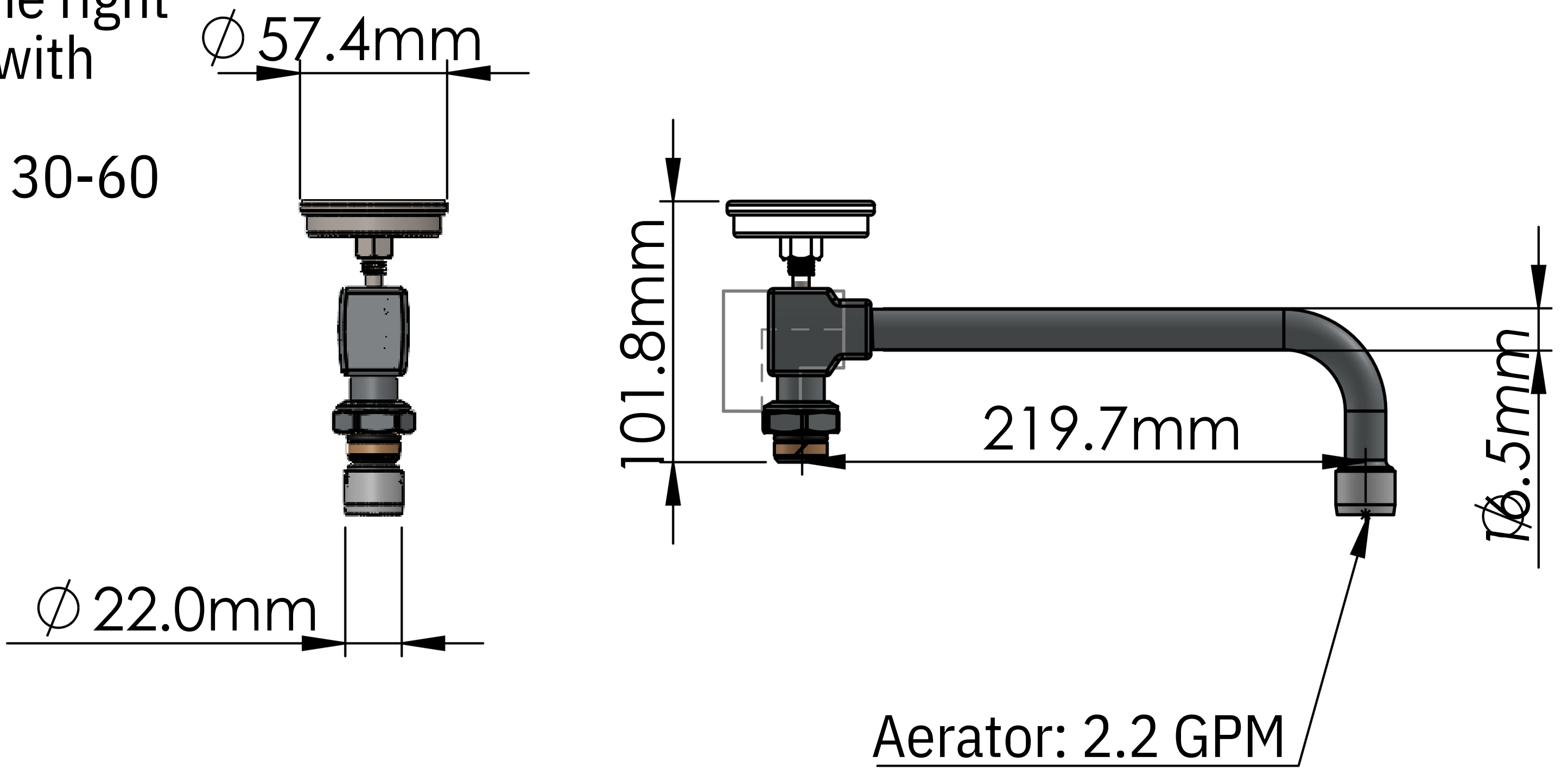
Features & Benefits:

1. It has 8" center body having hot handle on the left and cold handle on the right
2. In the center, it has an 8" spout with
3. a thermometer on it.
Having temperature range from 30-60 celsius



Performance Data:

- Pressure: 20 - 80 psi
- Flow Rate: 2.2 GPM @60PSI



Product compliance:

California proposition 65

Aerators:

Standard Aerator	Suffix
<input type="checkbox"/> 0.20 GPM	E1
<input type="checkbox"/> 0.50 GPM	E2
<input type="checkbox"/> 1.00 GPM	E3
<input type="checkbox"/> 1.50 GPM	E4
<input type="checkbox"/> 1.80 GPM	E5
<input type="checkbox"/> 2.20 GPM	E6

Vandal Resistant Laminar Flow Outlet	Suffix
<input type="checkbox"/> 0.35 GPM	H1
<input type="checkbox"/> 0.50 GPM	H2
<input type="checkbox"/> 1.00 GPM	H3
<input type="checkbox"/> 1.50 GPM	H4

Laminar Flow Outlet	Suffix
<input type="checkbox"/> 0.50 GPM	F1
<input type="checkbox"/> 1.50 GPM	F2

Vandal Resistant Aerator	Suffix
<input type="checkbox"/> 0.35 GPM	G1
<input type="checkbox"/> 0.50 GPM	G2
<input type="checkbox"/> 1.00 GPM	G3

Warranty: One Year Limited

NOTICE

The information contained herein is not intended to replace the full product installation and safety information available or the experience of a trained product installer. You are required to thoroughly read all installation instructions and product safety information before beginning the installation of this product.