

For Residential and Commercial Applications

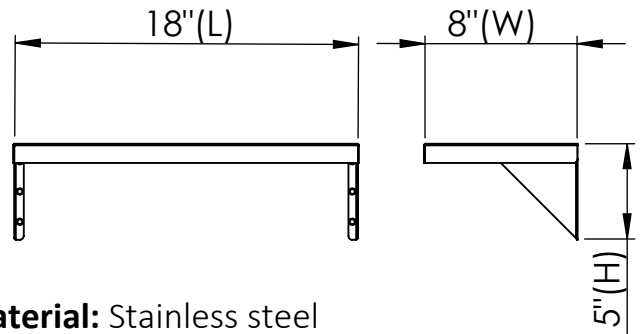
Job Name _____
 Job Location _____
 Engineer _____
 Approval _____

Contractor _____
 Approval _____
 Contractor's P.O. No. _____
 Representative _____

Series: Wall Mount Shelves
 Part no. 9308

Models/ Sizes:

Model	Sizes	L	W	H
C9308	L"xW"xH" SS Solid Wall Mount Shelf - 18GA	18"	8"	5"
C9308-24	L"xW"xH" SS Solid Wall Mount Shelf - 18GA	24"	8"	5"
C9308-30	L"xW"xH" SS Solid Wall Mount Shelf - 18GA	30"	8"	5"
C9308-36	L"xW"xH" SS Solid Wall Mount Shelf - 18GA	36"	8"	5"
C9308-48	L"xW"xH" SS Solid Wall Mount Shelf - 18GA	48"	8"	5"



Material: Stainless steel

Features & Benefits:

- 18 gauge stainless steel included 2 supports bracket
- 210lb. capacity
- makes the most of unused wall space
- easy to clean with no sharp edges

NOTICE

The information contained herein is not intended to replace the full product installation and safety information available or the experience of a trained product installer. You are required to thoroughly read all installation instructions and product safety information before beginning the installation of this product.

Product Compliance:

California proposition 65



US & Canada :- +1-678 666 2001

Krome product Specifications in U.S. customary units and metric are approximate and are provided for reference only. For precise measurements, please contact Krome Technical Service. Krome reserves the right to change or modify product design, construction, specifications, or materials without prior notice and without incurring any obligation to make such changes and modifications on Krome products previously or subsequently sold. For most updated specification sheet, go to