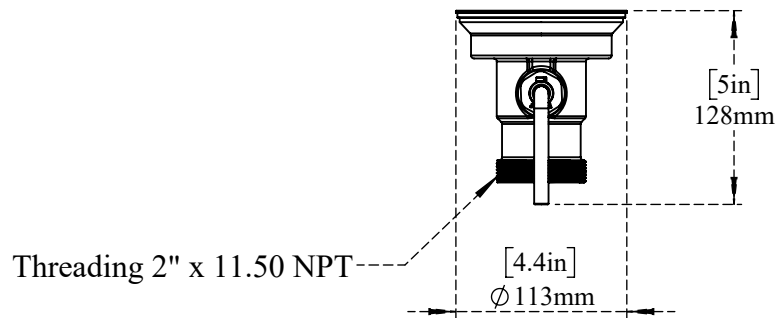
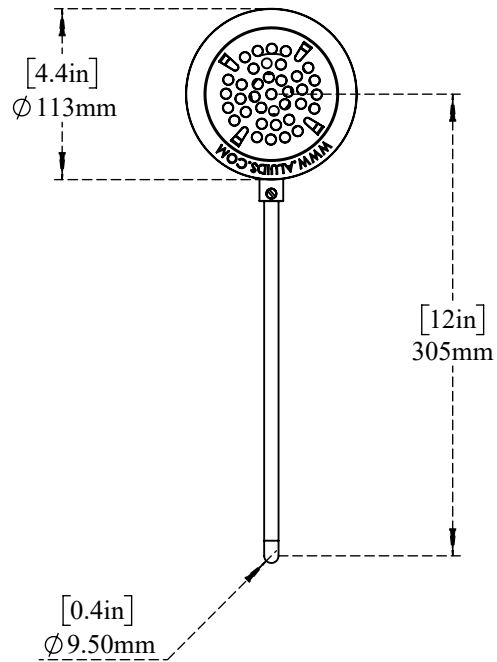


PART NO.-

C8481 Line Drawing

TITLE-

Balve Waste Valve With Flate Stainer



ALUIDS

Note:- Information provided for reference only.

All dimensions are in mm, inches (in bracket)

* This document and the information thereon is the property of Krome Dispense Pvt Ltd. & its subsidiaries. Any reproduction in part or as a whole without the written permission of Krome Dispense Pvt Ltd. is prohibited.