

Features & Benefits:

- 3-1/2" Twist Waste Drain & 2" NPT male drain outlet/1-1/2" NPT male adapter.
- Fabricated from solid brass material for durability and reliability.
- Included adapter can also change the inlet to 1-1/2" NPT
- Twist Handle with heat resistant plastic grip.
- Chrome plated brass body, adapter, stainless steel handle & flat strainer.
- With overflow option



C8102

Chrome Plated

Warranty: Three Year (Limited)



US & Canada :- +1-678 666 2001

Asia:- +91-9814203010

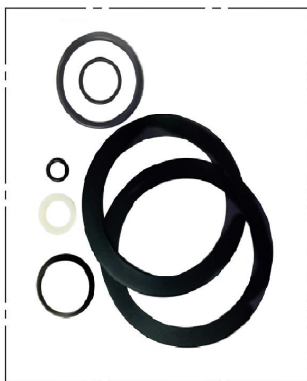
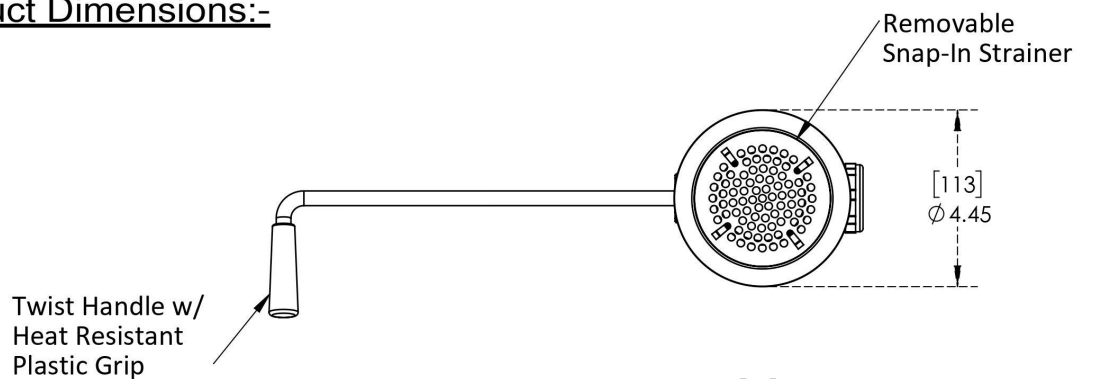
Krome USA Inc. reserves the right to make revisions to product specifications without any notice
For most updated specification sheet , go to www.aluids.com



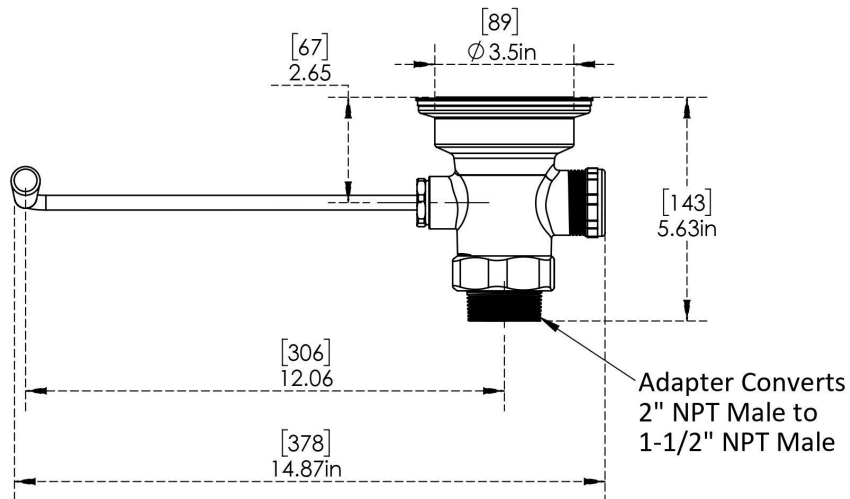
Option Available:-

Part No	Part Name
C8087	3" Sink Opening Waste Drain with Overflow Assembly
C8089	3-1/2" Sink Opening Waste Drain With Twist Handle, NPT Adapter & Overflow Assembly
C8090	3" Sink Opening Waste Drain With Twist Handle, NPT Adapter, Overflow Option

Product Dimensions:-



Twist Lever Waste Drain Repair Kit C9501
(Washers, O-Rings & Gaskets are included)



Copyright © 2017 Krome USA Inc. All Rights Reserved

US & Canada :- +1-678 666 2001
Asia:- +91-9814203010

Krome USA Inc. reserves the right to make revisions to product specifications without any notice
For most updated specification sheet , go to www.aluids.com

