

Features & Benefits:

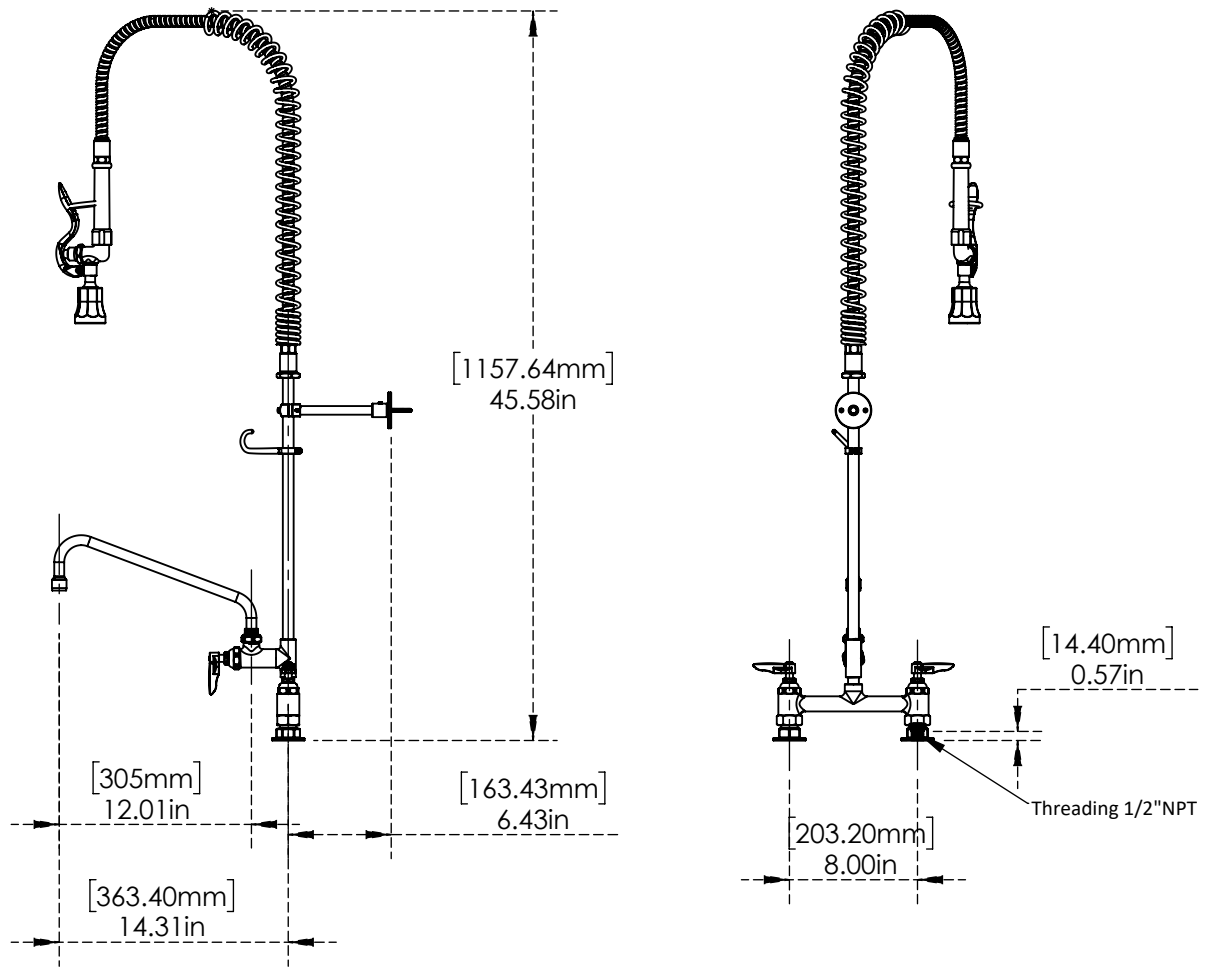
- Designed to remove food waste from dishes prior to dish washing.
- Heavy duty cross head tap.
- Stainless steel braided inner hose protecting the hose from splitting in use.
- With faucet which can be controlled independently.
- you can improve your workflow with the more efficient cleanup process.



C8468

Warranty: One Year (Limited)

Product Dimensions:-



Options Available:-

| Part No | Name | Spray Valve(@ 60PSI) | Finish | Mounting System | Center Distance | Inlet | Add on Faucet |
|---------|---|----------------------|-----------------|-----------------|-----------------|----------|---------------|
| C8200 | Pre-Rinse Unit: 1.2 GPM, 8" Center Deck Mount | 1.42 GPM | Polished Chrome | Deck Mount | 8" | 1/2" NPT | No |
| C8199 | Pre-Rinse Unit: 1.42 GPM, 8" Center Deck Mount | 1.2 GPM | Polished Chrome | Deck Mount | 8" | 1/2" NPT | No |
| C8470 | 8" Center Deck Mount Space Saver Pre-Rinse and Add-On Faucet with 8" spout. | 1.42 GPM | Polished Chrome | Deck Mount | 8" | 1/2" NPT | Yes |

US & Canada :- +1-678 666 2001
 Asia:- +91-9814203010

Krome USA Inc. reserves the right to make revisions to product specifications without any notice
 For most updated specification sheet , go to www.aluids.com

ALUIDS