

For Residential and Commercial Applications

Job Name _____
 Job Location _____
 Engineer _____
 Approval _____

Contractor _____
 Approval _____
 Contractor's P.O. No. _____
 Representative _____

Series

C9124 Series

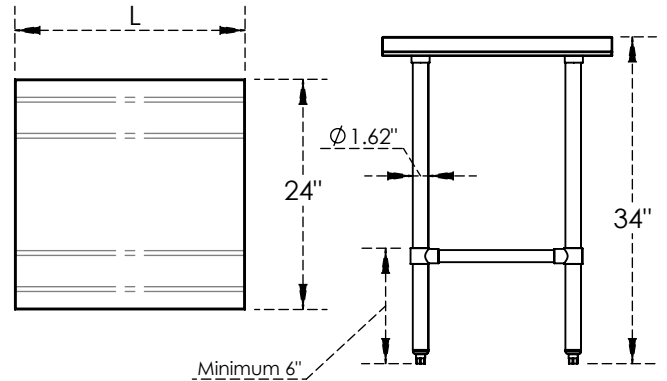
Commercial Open Base Work Table

Sizes:

24" to 96" Commercial Open Base Work Table

Features & Benefits:

- 1" adjustable bullet feet for superior stability
- Lightweight and easy to install
- Widely applied in kitchens, hotels, hospitals, and bars
- Made of 100% stainless steel 304 grade material
- Adjustable and foldable
- You can use it as a study table in your study room.
- It's light easy to drag about.



Dimensions - Weights

Part No.	Part Name	Length (L)	No. of Legs
C9124	24" x 24" Stainless Steel Work Table	24"	4
C9124-30	24" x 30" Stainless Steel Work Table	30"	4
C9124-36	24" x 36" Stainless Steel Work Table	36"	4
C9124-48	24" x 48" Stainless Steel Work Table	48"	4
C9124-60	24" x 60" Stainless Steel Work Table	60"	4
C9124-72	24" x 72" Stainless Steel Work Table	72"	4
C9124-84	24" x 84" Stainless Steel Work Table	84"	6
C9124-96	24" x 96" Stainless Steel Work Table	96"	6

NOTICE

The information contained herein is not intended to replace the full product installation and safety information available or the experience of a trained product installer. You are required to thoroughly read all installation instructions and product safety information before beginning the installation of this product.



US & Canada :- +1-678 666 2001

Krome product Specifications in U.S. customary units and metric are approximate and are provided for reference only. For precise measurements, please contact Krome Technical Service. Krome reserves the right to change or modify product design, construction, specifications, or materials without prior notice and without incurring any obligation to make such changes and modifications on Krome products previously or subsequently sold. For most updated specification sheet, go to www.aluids.com