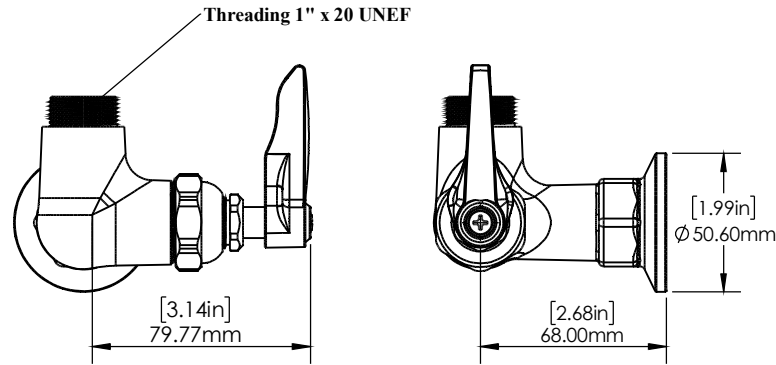


### Product Dimensions:



**C8447**

Polished Chrome

### Features & Benefits:

- Polished Chrome Finish
- Lead-free Heavy Duty Wall Mounted Commercial Kitchen Faucet
- The material ensures quality and reliability
- Single supply for cold or tempered water
- The durable brass construction is designed for a lifetime of use

### Performance Data:

- Pressure : 20-125 PSI
- Temperature : 40° to 140° F

### Product Compliance:

- California Proposition 65

**Warranty:** One Year (Limited)



US & Canada :- +1-678 666 2001

Asia:- +91-9814203010

Krome USA Inc. reserves the right to make revisions to product specifications without any notice  
For most updated specification sheet , go to