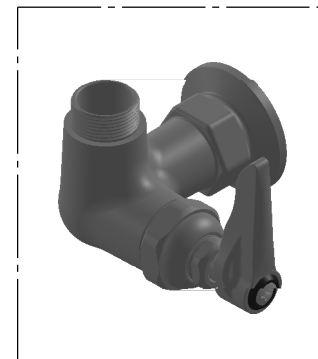
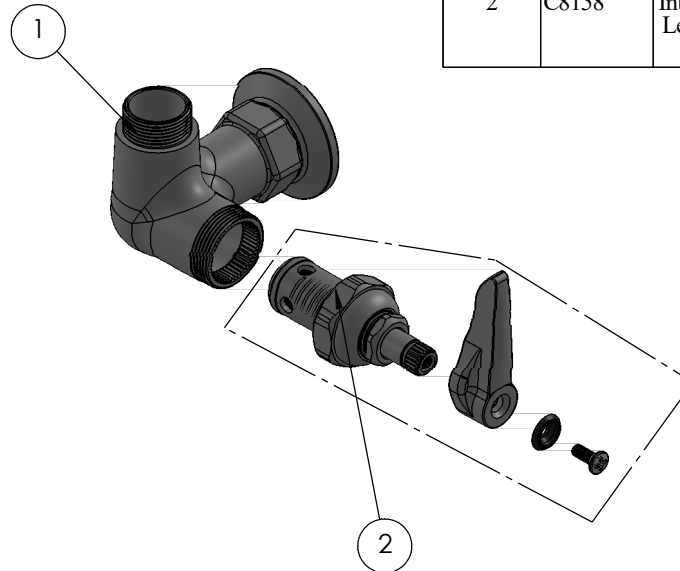


ItemNo.	Part No.	Part Name	Material	Qty
1	C8447.01	Single Wall Mount Base	C27400 Lead Free Brass	1
2	C8158	Quarter Turn Cartridge With Integral Spring Check Lever Handle, Index, Screw (COLD)		1



Copyright © 2017 Krome USA Inc. All Rights Reserved

Revision: 01