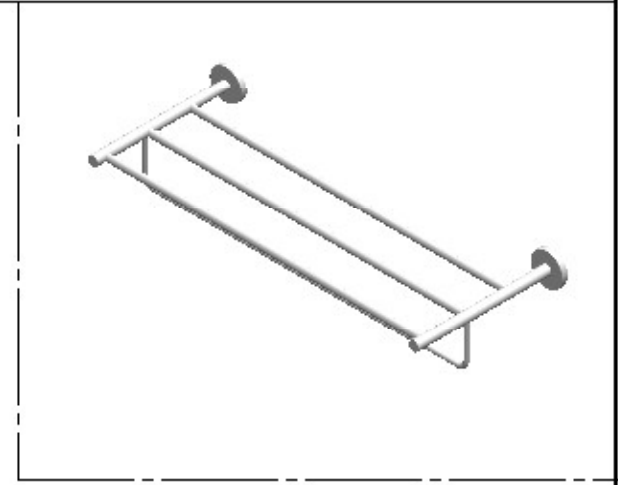
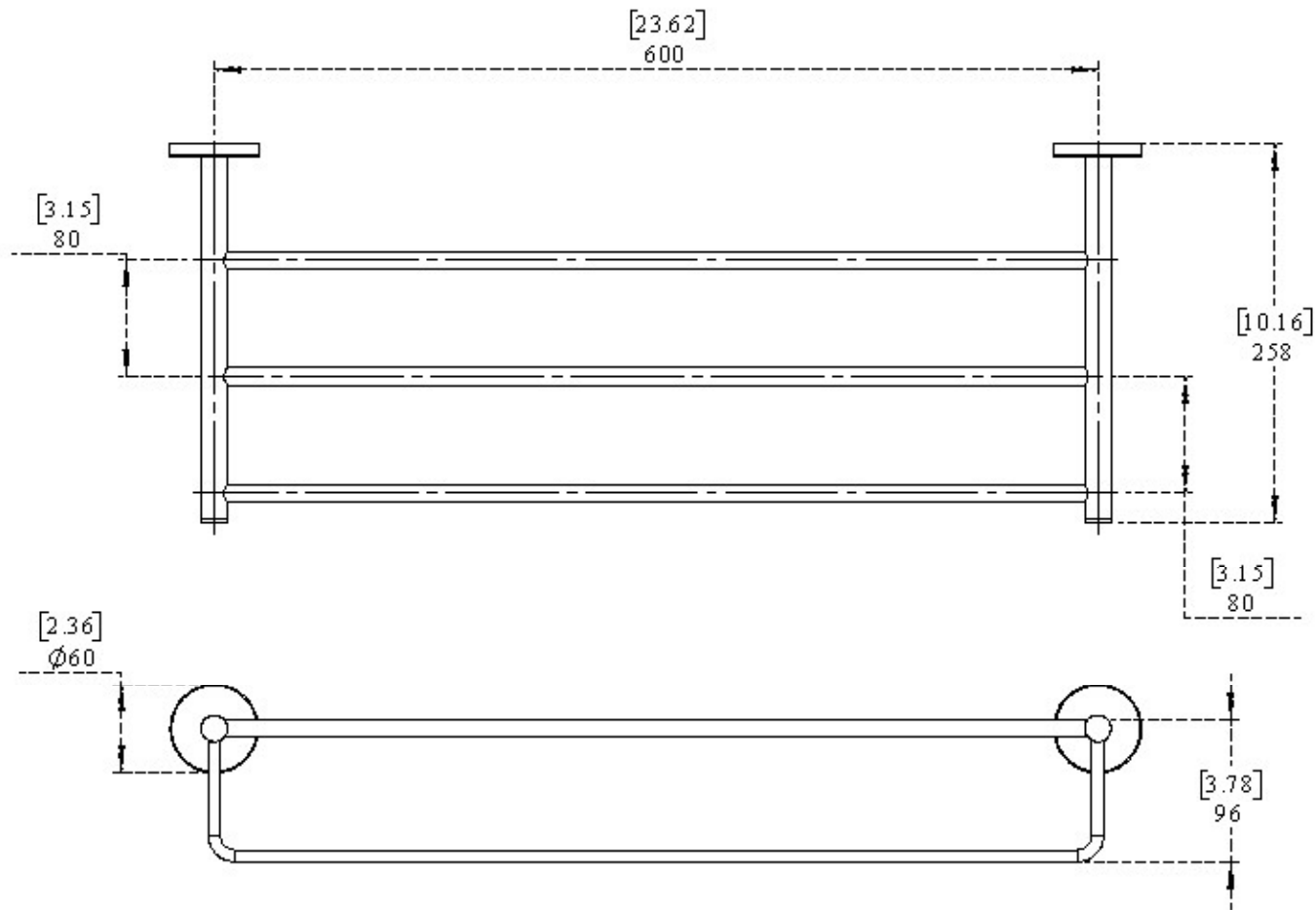


PART NO.-

C1956 Line Drawing

TITLE-

Towel Rack Line Drawing



All dimensions are in inches, mm (in bracket)

ALUIDS *Note:- Information provided for reference only*

* This document and the information thereon is the property of Krome Dispense Pvt Ltd. & its subsidiaries. Any reproduction in part or as a whole without the written permission of Krome Dispense Pvt Ltd. is prohibited.