

- Made of High Quality Stainless Steel for Durability & Reliability
- 100% Stainless Steel Contact with Beer to Serve Better Tasting
- Modern Look with Brushed Stainless Finish
- Take Your Pouring To Bold New Heights



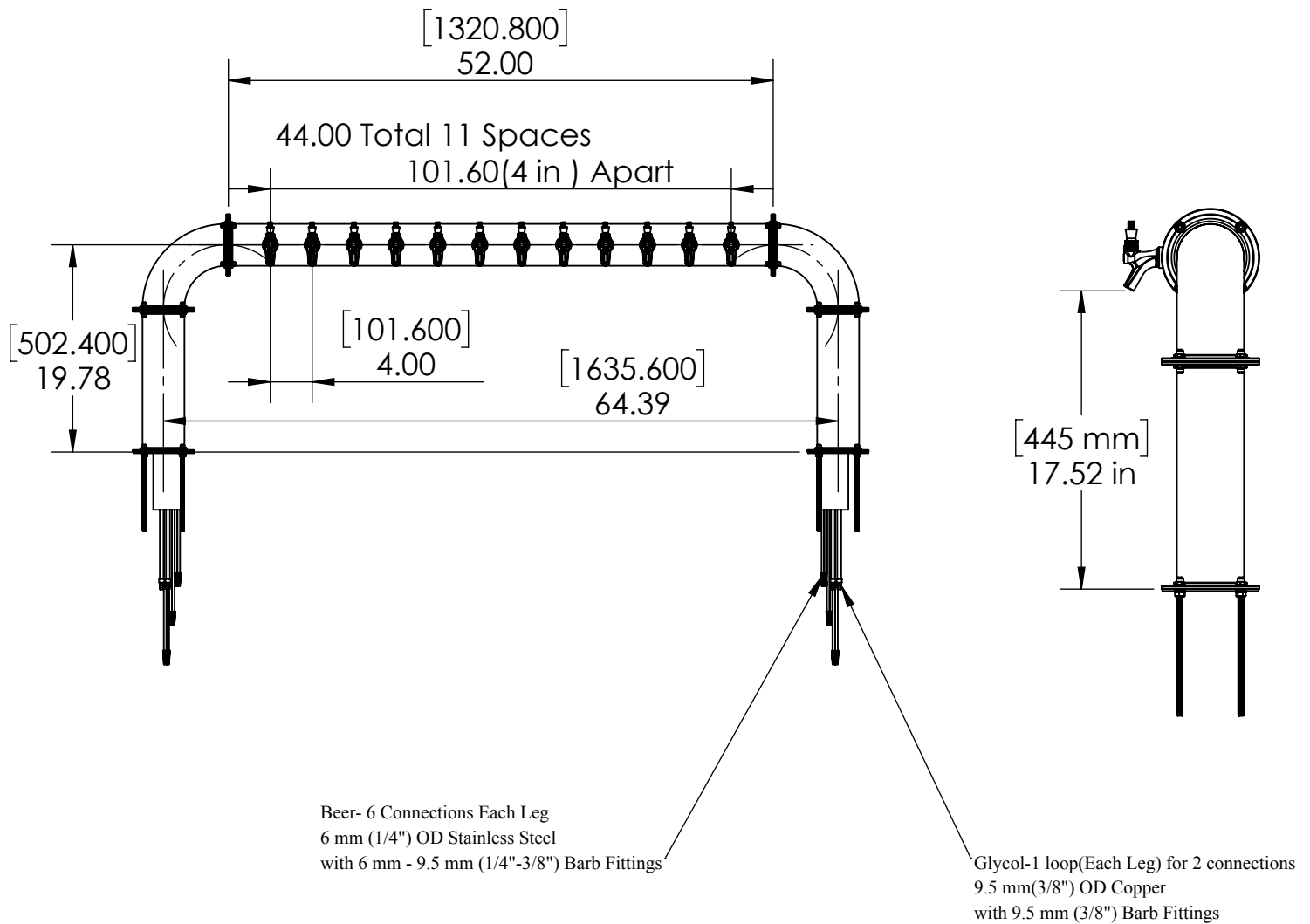
C1120

Brushed Stainless

Specification

Part Number	No. of Faucets	Finish	Cooling System
C1120	12	Brushed Stainless	Glyco Cold Technology
C1087	12	SS Polished	Glyco Cold Technology

Product Dimensions:-



Revision # - -

Copyright © 2017 Krome Dispense. All Rights Reserved

US & Canada :- +1-678 666 2001

Asia:- +91-9814203010

Krome Dispense reserves the right to make revisions to product specifications without any notice
For most updated specification sheet , go to www.kromedispense.com

