

# For Residential and Commercial Applications

Job Name \_\_\_\_\_  
 Job Location \_\_\_\_\_  
 Engineer \_\_\_\_\_  
 Approval \_\_\_\_\_

Contractor \_\_\_\_\_  
 Approval \_\_\_\_\_  
 Contractor's P.O. No. \_\_\_\_\_  
 Representative \_\_\_\_\_

## Series Yes

Commercial Peened Wall Mount Grab Bars 1-1/2" with Concealed Screws

### Sizes:

Commercial Peened Wall Mount Grab Bars 1-1/2" with Concealed Screws, Sizes from 9" to 48"

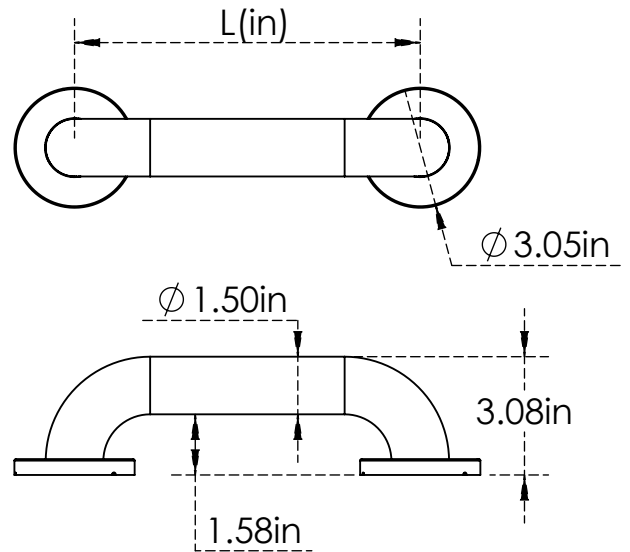
### Features & Benefits:

- It helps to mitigate slips and falls.
- Secure Mount design allows for easy, secure installation at any angle.
- 1-1/2 inches diameter pipe brushed finish for better grip
- Weight capacity of up to 440 lbs.
- Peened Surface holds extra grip even hands are wet
- Concealed Screw Flange fits the decorative purpose and also holds more load
- The very good build quality of Stainless Steel with Vibrant Stainless Finish
- Complies with ADA specifications.
- Available from 9" to 48"
- Thickness 18 Gauge
- These grab bars do not have flange covers to conceal the screws so they are exposed

### Dimensions:

PART NO.	NAME	Length(L)	Finish
C9101	Commercial 9" Peened Wall Mount Grab Bars 1-1/2" with Concealed Screws	9"	Brushed Finish
C9102	Commercial 12" Peened Wall Mount Grab Bars 1-1/2" with Concealed Screws	12"	Brushed Finish
C9103	Commercial 18" Peened Wall Mount Grab Bars 1-1/2" with Concealed Screws	18"	Brushed Finish
C9104	Commercial 24" Peened Wall Mount Grab Bars 1-1/2" with Concealed Screws	24"	Brushed Finish
C9105	Commercial 36" Peened Wall Mount Grab Bars 1-1/2" with Concealed Screws	36"	Brushed Finish
C9106	Commercial 48" Peened Wall Mount Grab Bars 1-1/2" with Concealed Screws	48"	Brushed Finish

C9101 Series



### NOTICE

The information contained herein is not intended to replace the full product installation and safety information available or the experience of a trained product installer. You are required to thoroughly read all installation instructions and product safety information before beginning the installation of this product.



US & Canada :- +1-678 666 2001

Krome product Specifications in U.S. customary units and metric are approximate and are provided for reference only. For precise measurements, please contact Krome Technical Service. Krome reserves the right to change or modify product design, construction, specifications, or materials without prior notice and without incurring any obligation to make such changes and modifications on Krome products previously or subsequently sold. For most updated specification sheet, go to [www.aluids.com](http://www.aluids.com)