

# For Residential and Commercial Applications

Job Name \_\_\_\_\_  
 Job Location \_\_\_\_\_  
 Engineer \_\_\_\_\_  
 Approval \_\_\_\_\_

Contractor \_\_\_\_\_  
 Approval \_\_\_\_\_  
 Contractor's P.O. No. \_\_\_\_\_  
 Representative \_\_\_\_\_

## Series Balance Grab Bar

### Sizes:

12", 16", 18", 24"  
 30", 36", 42", 48"

### Features & Benefits:

- Designed for hassle free installation.
- Install the handle and you have a safer bath or shower with this balance grab bar.
- This grab bar is made of durable 304 stainless steel construction.
- Heavy duty grab bar with **18 gauge** tubing.
- This is a great grab bar that is perfect for a bathroom or anywhere you need a helping hand to balance yourself.
- Efficient Space saver with modern design.

### Models:

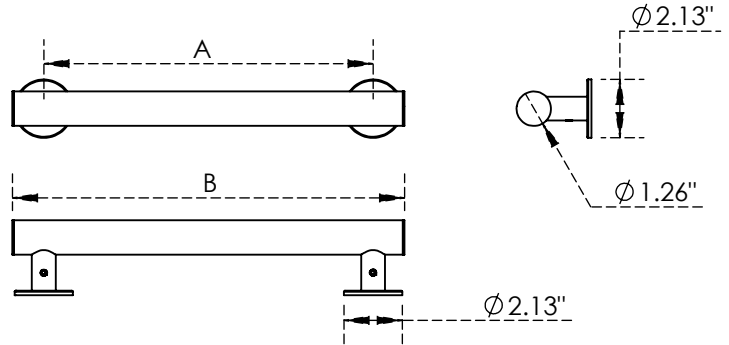
#### C9021 - CP Series

Balance Grab Bar Chrome Polished

#### C9021 - VS Series

Balance Grab Bar Vibrant Stainless

C9021 Series



### Dimensions - Weights

MODEL	SIZE	DIMENSIONS				WEIGHT	
		A		B		lbs.	kgs
		in.	mm	in.	mm		
Balance Grab Bar- Polished Chrome							
C9021-CP	12	12	304.8	14.29	363.0	1.56	0.71
C9022-CP	16	16	406.4	18.29	464.6	1.74	0.79
C9023-CP	18	18	457.2	20.29	515.4	1.82	0.83
C9024-CP	24	24	609.6	26.29	667.8	2.08	0.94
C9025-CP	30	30	762.0	32.29	820.2	2.34	1.06
C9026-CP	36	36	914.4	38.29	972.6	2.60	1.18
C9027-CP	42	42	1066.8	44.29	1125.0	2.87	1.3
C9028-CP	48	48	1219.2	50.29	1277.4	3.13	1.42
Balance Grab Bar- Vibrant Stainless							
C9021-VS	12	12	304.8	14.29	363.0	1.56	0.71
C9022-VS	16	16	406.4	18.29	464.6	1.74	0.79
C9023-VS	18	18	457.2	20.29	515.4	1.82	0.83
C9024-VS	24	24	609.6	26.29	667.8	2.08	0.94
C9025-VS	30	30	762.0	32.29	820.2	2.34	1.06
C9026-VS	36	36	914.4	38.29	972.6	2.60	1.18
C9027-VS	42	42	1066.8	44.29	1125.0	2.87	1.3
C9028-VS	48	48	1219.2	50.29	1277.4	3.13	1.42

### NOTICE

The information contained herein is not intended to replace the full product installation and safety information available or the experience of a trained product installer. You are required to thoroughly read all installation instructions and product safety information before beginning the installation of this product.



US & Canada :- +1-678 666 2001

Krome product Specifications in U.S. customary units and metric are approximate and are provided for reference only. For precise measurements, please contact Krome Technical Service. Krome reserves the right to change or modify product design, construction, specifications, or materials without prior notice and without incurring any obligation to make such changes and modifications on Krome products previously or subsequently sold. For most updated specification sheet, go to [www.aluids.com](http://www.aluids.com)