

For Residential and Commercial Applications

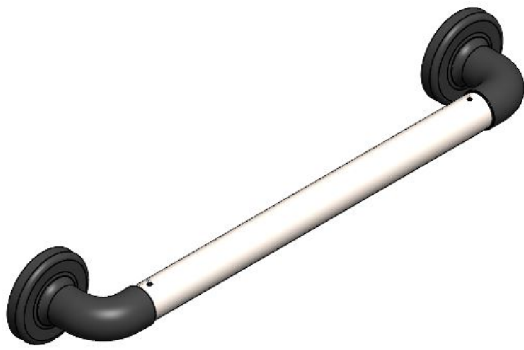
Job Name _____
 Job Location _____
 Engineer _____
 Approval _____

Contractor _____
 Approval _____
 Contractor's P.O. No. _____
 Representative _____

Series No

C9001 Series

M Series Plastic Grab Bar with Heavy Duty Metal tube - 1-1/4" Dia

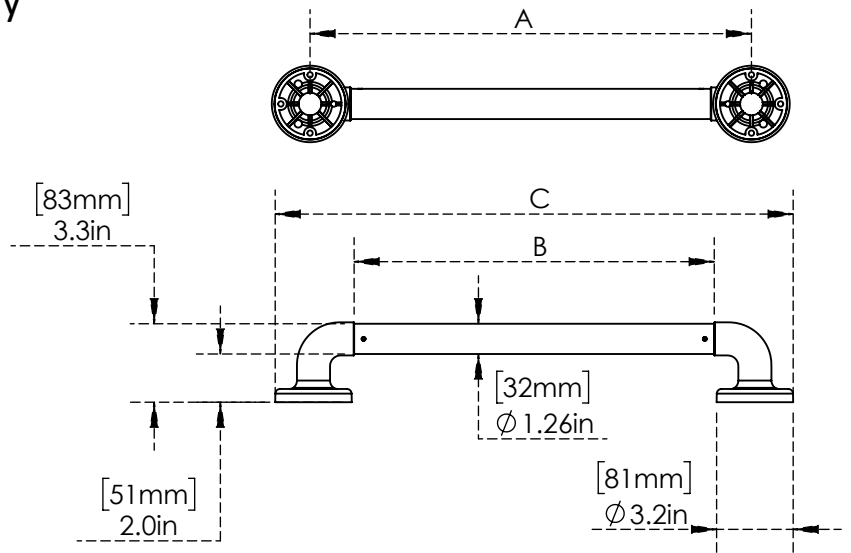


Sizes:

9", 12", 18"
 24", 36", 48"

Features & Benefits:

- Plastic ABS elbow
- Heavy duty metal tube with 18 Gauge
- It helps to mitigate slips and falls.
- 1-1/4 inches diameter pipe brushed finish for better grip.
- Available from 9" to 48"
- Weight capacity of up to 300 lbs



Dimensions

Part No	Center to Center Distance A		Center Pipe Length B		Overall Length C	
	in	mm	in	mm	in	mm
C9001-9"	9	229	5.6	143	12.16	309
C9001-12"	12	305	8.6	219	15.16	385
C9001-18"	18	457	15	381	21.6	548
C9001-24"	24	610	20.6	524	27.16	690
C9001-36"	36	914	32.6	828	39	994
C9001-48"	48	1133	44.6	1133	47.7	1213

NOTICE

The information contained herein is not intended to replace the full product installation and safety information available or the experience of a trained product installer. You are required to thoroughly read all installation instructions and product safety information before beginning the installation of this product.

Models:

C9001 M Series

M Series Plastic Grab Bar with Heavy Duty Metal tube - 1-1/4" Dia



US & Canada :- +1-678 666 2001

Krome product Specifications in U.S. customary units and metric are approximate and are provided for reference only. For precise measurements, please contact Krome Technical Service. Krome reserves the right to change or modify product design, construction, specifications, or materials without prior notice and without incurring any obligation to make such changes and modifications on Krome products previously or subsequently sold. For most updated specification sheet, go to www.aluids.com