

- 100% Stainless Steel Shank Mounted Drip Tray Brushed finish
- Included Center Mounted nipple for 1/2" drain hose
- Fabricated from 1.2 mm Stainless Steel for Durability & Reliability
- Easily Mount to shank using holes on the backsplash



C4123

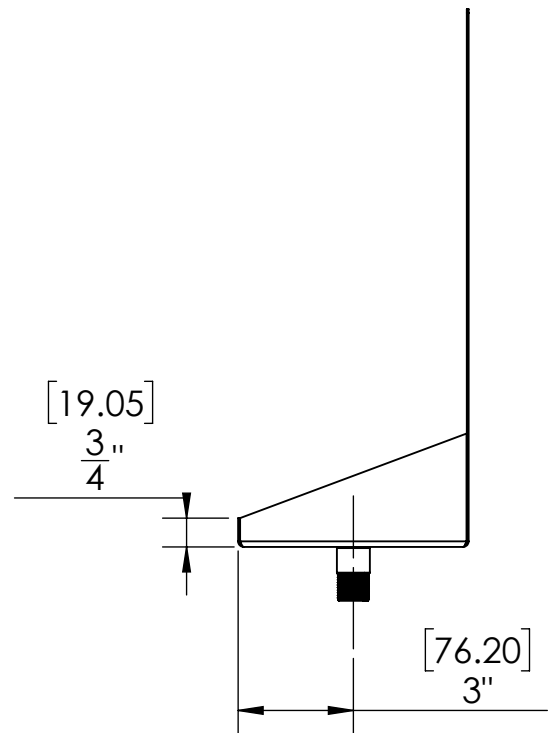
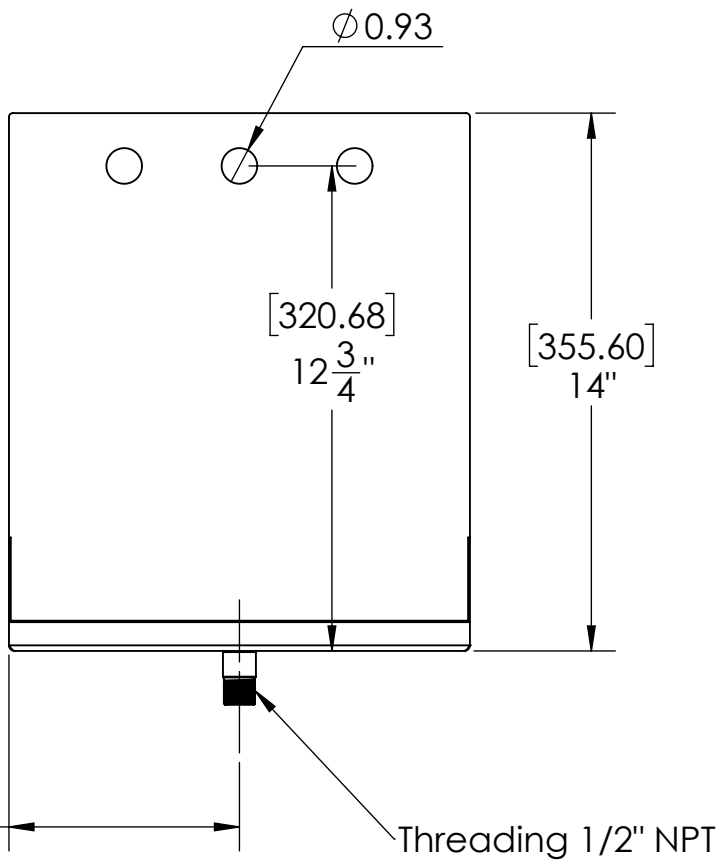
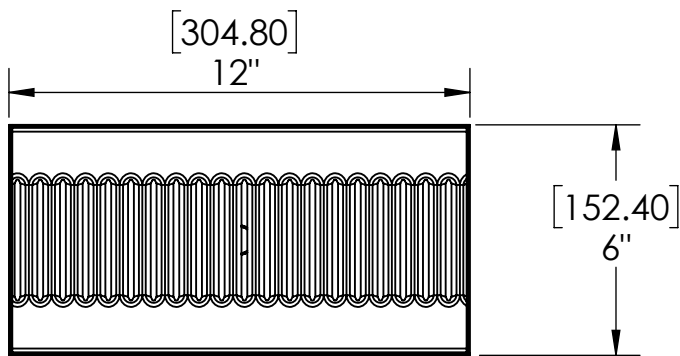
Brushed Stainless



Options Available

Part Number	Dimensions	No. of Faucets	Finish
C138	8" L x 6" W x 14" H	1	Brushed Stainless
C4080	8" L x 6" W x 14" H	Without Faucets	Brushed Stainless
C4082	8" L x 6" W x 14" H	2	Brushed Stainless
C4120	12" L x 6" W x 14" H	Without Faucets	Brushed Stainless
C4121	12" L x 6" W x 14" H	1	Brushed Stainless
C4122	12" L x 6" W x 14" H	2	Brushed Stainless
C4160	16" L x 6" W x 14" H	Without Faucets	Brushed Stainless
C4164	16" L x 6" W x 14" H	4	Brushed Stainless
C4165	16" L x 6" W x 14" H	5	Brushed Stainless

Product Dimensions:-



Copyright © 2017 Krome Dispense. All Rights Reserved. Revision # 1 - ---

US & Canada :- +1-678 666 2001

Asia:- +91-9814203010

Krome Dispense reserves the right to make revisions to product specifications without any notice

For most updated specification sheet , go to www.kromedispense.com

