

- 100% Stainless Steel Jockey Box Drip Tray Brushed finish
- For Use with Jockey Box
- Fabricated from 1.2 mm Stainless Steel for Durability & Reliability
- Included Center Mounted Nipple for drain



C640

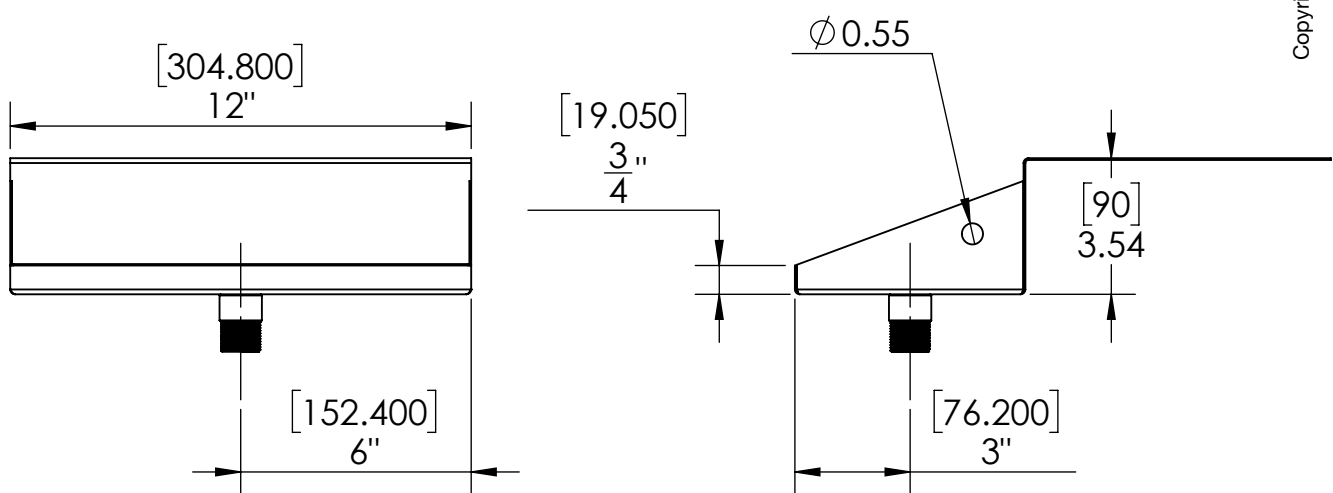
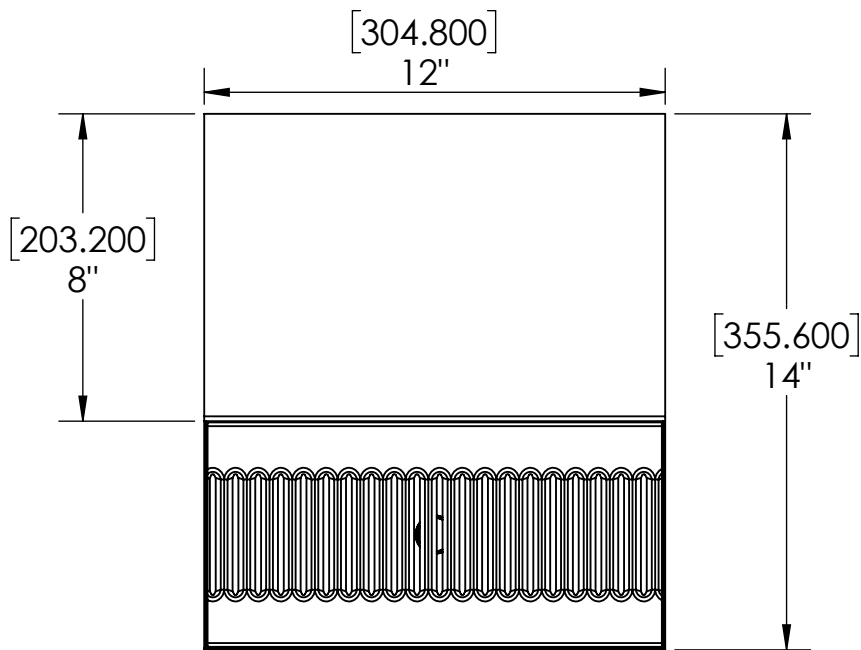
Brushed Stainless



Options Available

Part Number	Dimensions	Finish
C824	24" L x 5" W x 8" H	Brushed Stainless

Product Dimensions:-



Copyright © 2017 Krome Dispense. All Rights Reserved. Revision # 1 - ---