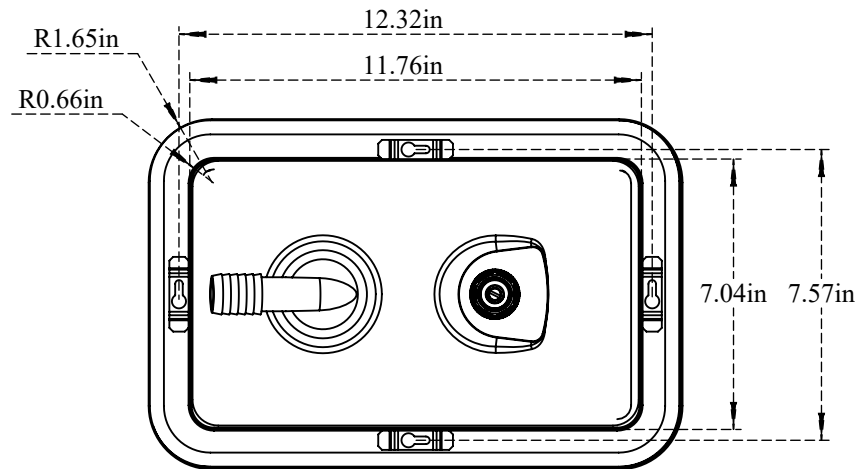
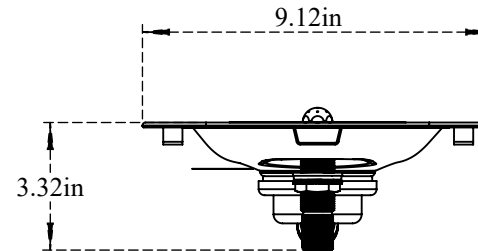
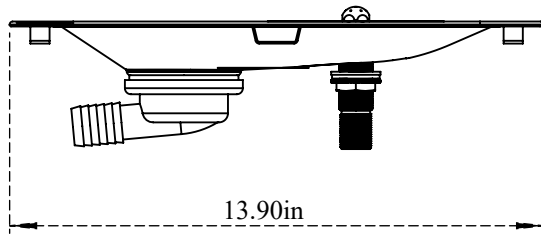
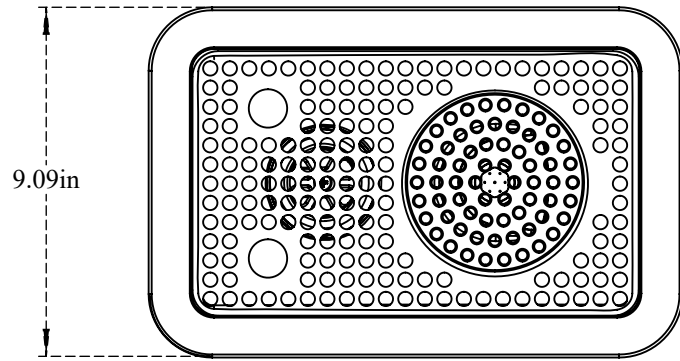


PART NO.-

C4033 Line Drawing

TITLE- 14" x 9" Flush Mount Drip Tray With Rinser - Brushed Finish



Note:- Information provided for reference only.

\* This document and the information thereon is the property of Krome Dispense Pvt Ltd. & its subsidiaries. Any reproduction in part or as a whole without the written permission of Krome Dispense Pvt Ltd. is prohibited.