

Instructions for PARTY KEG COUPLER



Instructions for **PARTY KEG COUPLER**



1

Align natches in base of coupler with corresponding lugs located in the top of the keg valve.



2

Rotate Coupler one-quarter turn clockwise to engage the keg lugs.



Un-Tapped Position



Tapped Position

3

Pull the lever handle out and push down to locked position. You now ready to pour beer.

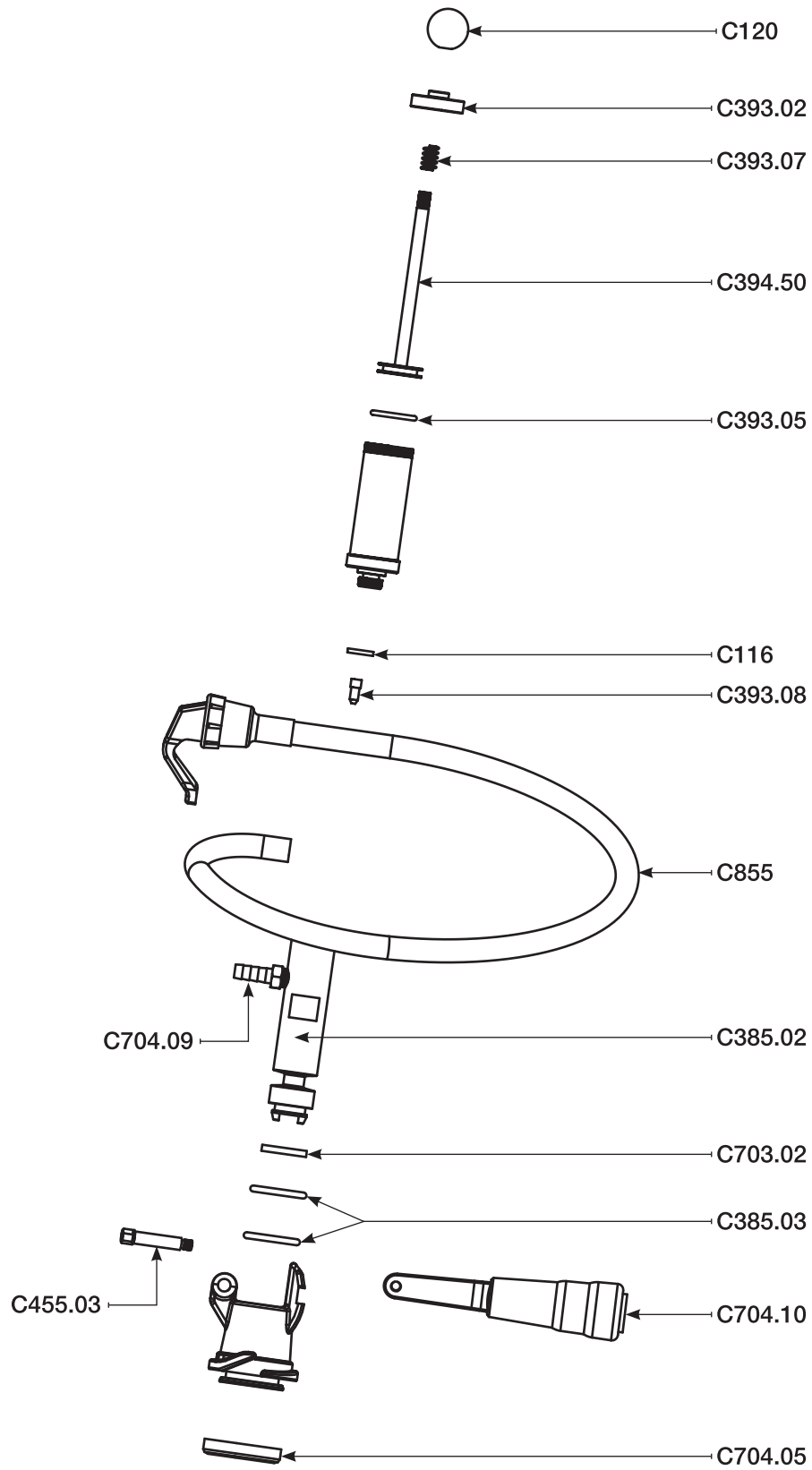


4

Before pumping, open the faucet to start the flow of the beer, only pump when the beer flow to begins to slow. **Do not over pump this will cause beer foam.**



Instructions for PARTY KEG COUPLER





Instructions for **PARTY KEG COUPLER**

- Periodically the piston O-ring will require lubrication. Much depends on how often the pump is used and cleaned. Lubrication is what permits proper movement of piston when pumping. without it, the pump will not work properly. It is important that you do not over lubricate; only a small amount is required , just enough to cover the piston O-ring.
- **Use C546 (Cleaning Kit) for cleaning the Party Keg Coupler.**