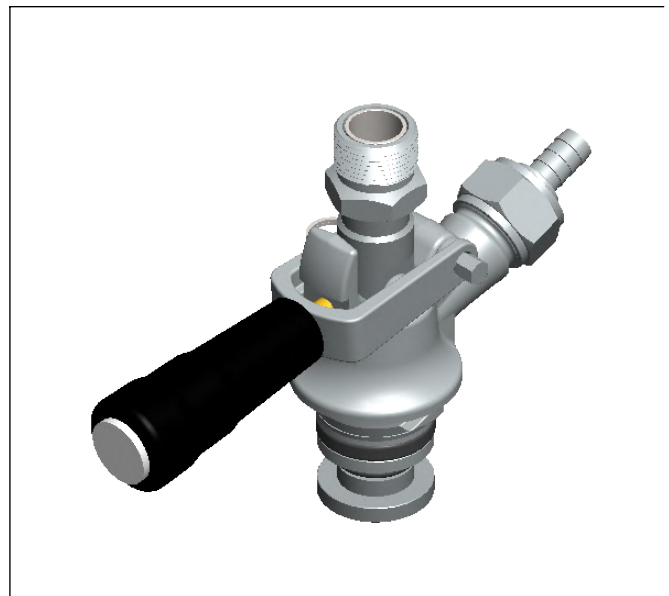


ItemNo.	Part No.	Part Name	Qty.
1	C712.02	Locking Ring For U System	1
2	C712.03	Gasket For U System	1
3	C712.04	Retaining Ring For U System	1
4	C712.05	Circlip For U system	1
5	C712.50	U System Probe & Torpedo Sub-Assembly	1
6	C257.06	SLIDING CAP O-RING	1
7	C712.08	U-System Body O-RING	1
8	C712.11	Retainer For U-System	1
9	C712.12	Duck Bill Valve For U-System	1
10	C712.13	PRV	1
11	C103	Tailpiece 5/16"	1
12	C116	Neoperene Washer	1
13	C181	CHROME PLATED BRASS BEER HEX NUT	1
14	C713	Coupler Thread Adapter	1
15	C704.10	Short Handle	1
16	C704.09	Handle Hinge Pin	1

Copyright © 2017 Krome Dispense. All Rights Reserved. Revision # 01 - ...



US & Canada :- +1-678 666 2001
 Asia:- +91-9814203010

Krome Dispense reserves the right to make revisions to product specifications without any notice
 For most updated specification sheet , go to www.kromedispense.com