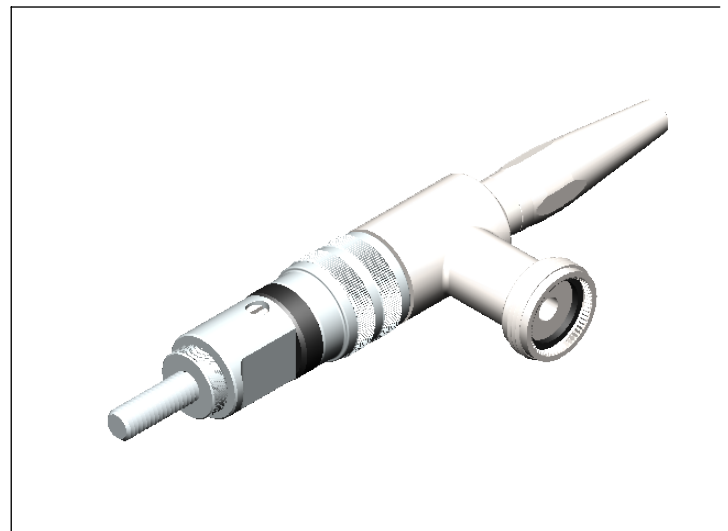
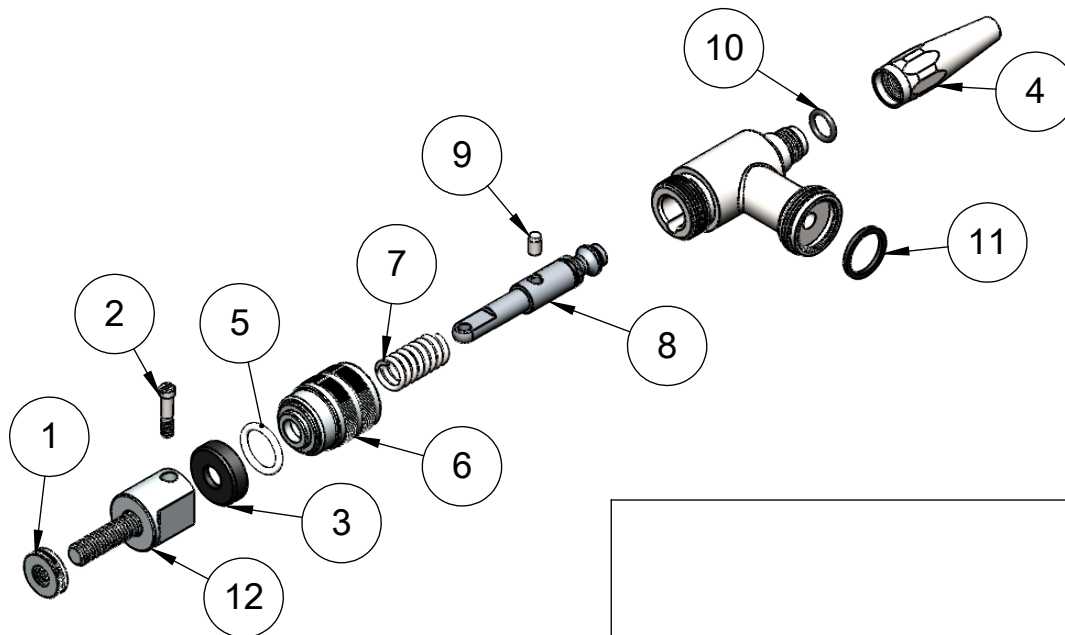


ItemNo.	Part No.	Part Name	Qty.
1	C257.02	KNURLED STOP NUT FOR STOUT FAUCET(NADS)	1
2	C257.04	Screw for Stout Faucet (NADS)	1
3	C257.05	Sliding Cap	1
4	C3074.50	Stout Faucet Leak out Pipe Subassembly-Small Hole Plate	1
5	C257.06	SLIDING CAP O-RING	1
6	C257.07	Brass cap nut	1
7	C257.08	SPRING FOR STOUT FAUCET(NADS)	1
8	C257.50	Stout Tap Piston Subassembly	1
9	C257.10	PIN FOR STOUT FAUCET(NADS)	1
10	C257.11	O-RING 10X2 FOR STOUT	1
11	C201.07	COUPLING GASKET	1
12	C257.03	Lever Base with Full Thread Rod	1



Revision # 01 - -
Copyright © 2017 Krome Dispense. All Rights Reserved



US & Canada :- +1-678 666 2001
Asia:- +91-9814203010

Krome Dispense reserves the right to make revisions to product specifications without any notice
For most updated specification sheet , go to www.kromedispense.com